

Envir-A-Shutter®

ALUMINIUM INSULATED SHUTTER (RASE)



The Envir-A-Shutter is made up of a number of slats that are hinged together and move vertically in the opening, then roll around the torque tube, guided by tracks and aided by springs.

SLATS



A1 Alloy 3005 H18. This material features extensive rigidity of 205Mpa and yield strength of 187Mpa. The proportion of filled foam is 32kg/m³. Dimensions: 19mm thick and nominal effective slat width of 77mm.

SIZE

	MINIMUM	MAXIMUM
HEIGHT	1900mm	5500mm
WIDTH	1900mm	5500mm

BOTTOM RAIL

Extruded aluminium T section bottom rail. Top edge formed to interlock with the bottom slat of the shutter.

Taper: No.

Weatherseal: Standard.

GUIDES

A1 alloy, powder coated white extruded aluminium channel with brush inserts. Depth 55mm x width 130mm.

TORQUE TUBE

Torque tube is 203mm diameter. Wall thickness 1.6mm galvanised steel, to withstand a minimum deflection of 1:350mm. Torque tube fitted with 30% glass filled polypropylene homo-polymer plastic drums mounted on 33.7mm axle, having minimum thickness 4.0mm.

SPRINGS

Helical torsion type drum springs, made from hard drawn range 2 spring steel. Spring life 10,000 cycles.

BRACKETS

Mild steel angle to be used with double saddles and 100mm high tensile steel bolts.

LOCKING

No locking is normally provided.

Options: Aluminium slide bolts for use with padlocks.

Chain lock cleats for chain operated and bottom rail centre lift lock for manual operation.

Locking is never recommended for use with motorised operations.

THERMAL INSULATION VALUE

R value = 0.25w/m²/R

FINISHES

Available in three standard colours: Off white, Pewter and Cream. Powder coating is also available.

OPTIONS

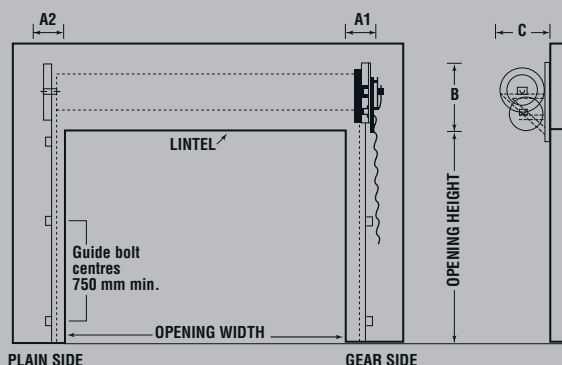
Ventilation: No.

Mullions: No.

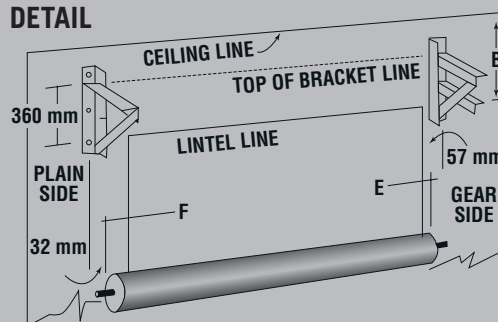
Personnel access: No.

Vision slats with removable perspex inserts for ventilation.

CLEARANCES



BRACKET BOLT FIXING DETAIL



FIXING

"D" = Door jamb opening to end of drum is 100mm.

"E" = measurement from end of drum (not the gear wheel) to the fixing bolt centre line – Gear side.

"F" = measurement from end of drum to the fixing bolt centre line – Plain side.

STANDARD PARAMETERS

Curtain width = Opening width + 120mm

Drum length = Opening width + 220mm

Axle length = Opening width + 720mm

DIMENSIONS

Opening Height	A1	A2	B	B min	C	D	E	F
Planetary gear drive for doors under 4500mm high or wide								
2200mm	145	110	630	580	405	205	205	360
3000mm	145	110	680	630	455	230	230	360
3600mm	145	110	700	650	475	240	240	360
Hand winder drive for doors over 4500mm high or wide								
4500mm	145	110	720	670	495	250	250	360
5500mm	145	110	720	670	495	250	250	360



Doors & Openers®

THERE'S SO MUCH MORE BEHIND A B&D DOOR

Call 13 62 63 or visit www.bnd.com.au for further information.

B&D Doors is a division of B&D Australia Pty Ltd ABN 25 010 473 971 © 2013 B&D Australia